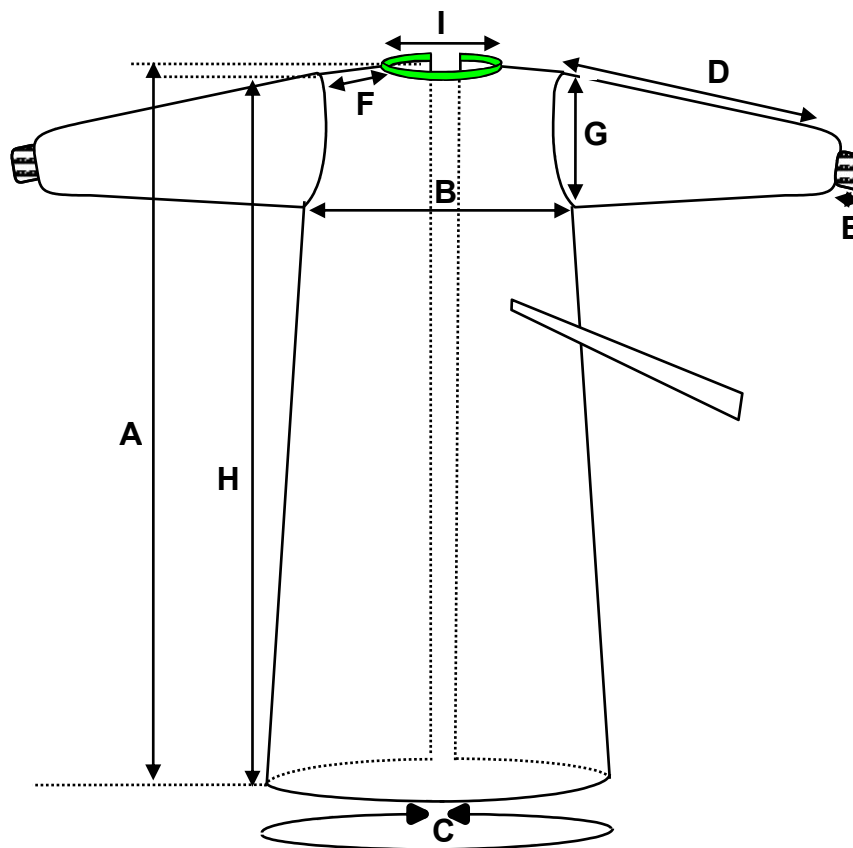


Product specification

1. Product Standard gown, standard
2. Product Code
 1. Medium 11.30.01SN
 2. Large 11.30.02SN
 3. XLarge 11.30.03SN
 4. X/Large /Long 11.30.04SN
 5. XXLarge 11.30.05SN
3. Intended use. Suitable for procedures with low to medium fluid
4. Manufactured within clean room conditions
5. Material list
 1. Gown material 40gms AS SMS
 2. Cuffs cotton
6. Properties Liquid repellent, low linting
7. Dimensions
 1. Final fold dimensions 17 x 22 cm \pm 1 cm
8. Other features
 1. Velcro neck fastening
 2. Belt size 65cm
 3. Ultrasonic weld seams
 4. Tie-card showing
 5. Coloured collar – White (standard protection)
9. Finished Product Dimensions



		11.30.01SN	11.30.02SN	11.30.03SN	11.30.05SN	11.30.04SN
		Medium	Large	XLarge	XXLarge	XLarge / Long
A	Neck to hem ± 25 mm	1200	1300	1400	1500	1550
B	Chest ± 25 mm	700	700	750	800	800
C	Hem width ± 20 mm	1500	1500	1600	1700	1700
D	Sleeve length ± 20 mm	600	600	620	620	620
E	Cuff length ± 20 mm	75	75	75	75	75
F	Shoulder length ± 20 mm	200	210	210	210	210
G	Sleeve width ± 20 mm	290	290	310	310	310
H	Shoulder to hem ± 20 mm	1120	1220	1320	1420	1470
I	Neck width ± 20 mm	260	260	260	260	260